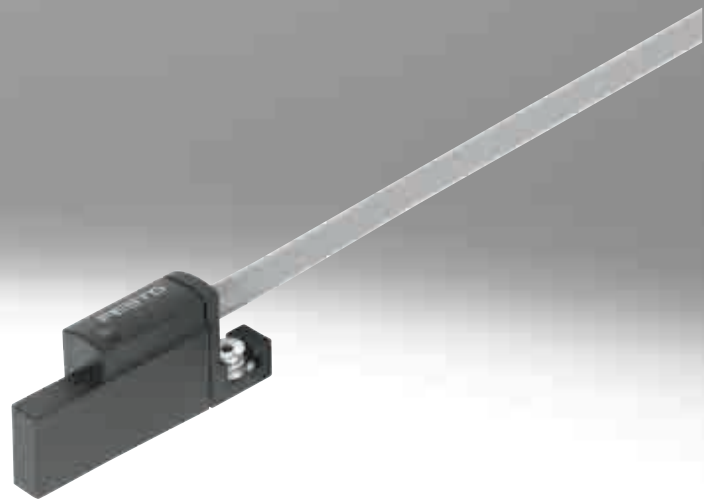


Proximity switches SDBT for T-slot

FESTO



Festo Core Range
Solves the majority of your automation tasks

With the Festo Core Range, we have selected the most important products and functions from our broad product catalogue, and added the quickest delivery.

Worldwide: Quickest delivery – wherever, whenever
Simply good: Expected high Festo quality
Fast: Easy and fast to select

The Core Range offers you the best value for your automation tasks.

Just look
for the
star!

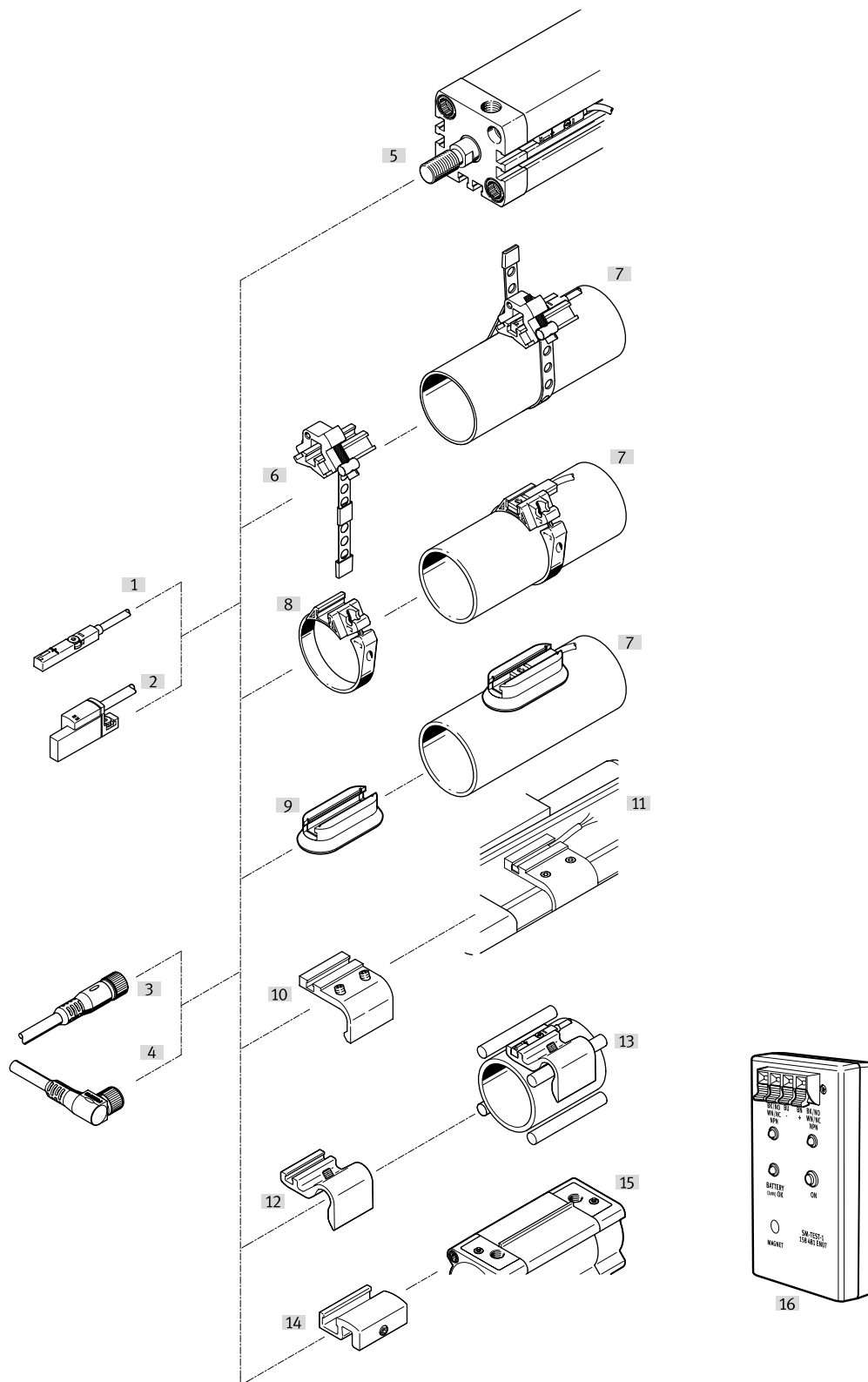
Product range overview

Design	Type of mounting	Measuring principle	Type	Operating voltage range	Switching output	Switching element function	→ Page	
For T-slot	Standard							
	Screw-clamped, inserted in the slot from above	Magnetic Hall	SDBT-MSX	10 ... 30 V DC	PNP/NPN, switchable	N/O/ N/C contact, switchable	–	
	Inserted in the slot from above, flush with the cylinder profile	Magneto-resistive	SMT-8M-A	5 ... 30 V DC	PNP	N/O contact	–	
						N/C contact		
					NPN	N/O contact		
					Non-contacting, 2-wire	N/O contact		
	Inserted in the slot from above, flush with the cylinder profile	Magnetic reed	SME-8M	5 ... 30 V AC/DC	Contacting, bipolar	N/O contact	–	
						N/C contact		
	Inserted in the slot lengthwise, flush with the cylinder profile	Magnetic reed	SME-8	12 ... 30 V AC/DC	Contacting, bipolar	N/O contact	–	
				3 ... 230 V AC/DC		N/C contact		
	Insertable in the slot lengthwise	Magneto-resistive	SMT-8G	10 ... 30 V DC	PNP, NPN	N/O contact	–	
		Magneto-resistive	SMT-8-SL	10 ... 30 V DC	PNP	N/O contact	–	
	With accessories	Magneto-resistive	SMT0-8E	10 ... 30 V DC	PNP	N/O contact	–	
					NPN			
	Corrosion-resistant							
	Inserted in the slot from above, flush with the cylinder profile	Magneto-resistive	CRSMT-8M	5 ... 30 V DC	PNP	N/O contact	–	
	Welding-field-resistant							
	Inserted in the slot from above, screw-clamped	Magneto-resistive	SDBT-BSW	10 ... 30 V DC	PNP	N/O contact	7	
								NPN
								Non-contacting, 2-wire
With accessories	Magneto-inductive	SMTS0-8E	10 ... 30 V DC	PNP	N/O contact	–		
				NPN				
Heat-resistant up to 120°C								
Inserted in the slot lengthwise, flush with the cylinder profile	Magnetic reed	SME-8-...-S6	0 ... 30 V AC/DC	Contacting, bipolar	N/O contact	–		
With accessories	Magnetic reed	SME0-8E-...-S6	0 ... 30 V DC	Contacting	N/O contact	–		
			0 ... 30 V AC					
To EU Explosion Protection Directive (ATEX)								
Inserted in the slot from above, screw-clamped	Magneto-resistive	SDBT-MS-...-EX6	8.2 V DC	NAMUR	NAMUR	12		

Product range overview

Design	Type of mounting	Measuring principle	Type	Operating voltage range	Switching output	Switching element function	→ Page
For C-slot	Standard						
	Inserted in the slot from above, flush with the cylinder profile	Magneto-resistive	SMT-10M	10 ... 30 V DC	PNP	N/O contact	C-slot
					NPN		
					Non-contacting, 2-wire		
		Magnetic reed	SME-10M	5 ... 30 V AC/DC	Contacting, bipolar	N/O contact	
	Insertable in the slot lengthwise	Magneto-resistive	SMT-10G	10 ... 30 V DC	PNP	N/O contact	
Magnetic reed		SME-10	12 ... 27 V AC/DC	Contacting	N/O contact		

Peripherals overview



Peripherals overview

Mounting attachments and accessories		→ Page	Mounting attachments and accessories		→ Page
Proximity switches			Mounting kits and accessories		
[1]	SDBT-MS-...-EX6, with explosion protection	12	[6]	Mounting kit SMBR-8-8/100-S6, heat resistant	15
[2]	SDBT-BSW, welding-field-resistant	7	[8]	Mounting kit SMBR	15
			[9]	Mounting kit CRSMB, corrosion-resistant	16
			[10]	Mounting kit SMB-8-FENG	16
			[12]	Sensor bracket DASP-M4-...	17
			[14]	Mounting kit SMB-8-C	17
			[16]	Sensor tester SM-TEST-1	19
			-	Positioning element SMM-8	18
			-	Clip SMBK-8	19
			-	Inscription label ASLR	19
			-	Safety clip NEAU	19
			Connecting cables		
[3]	NEBU-M...G...	19	[5]	Drives with T-slot	-
[4]	NEBU-M...W...	19	[7]	Round cylinders	-
			[11]	Standards-based cylinders DSBC	-
			[13]	Drives with tie or mounting rod	-
			[15]	Standards-based cylinders DSBF	-

Type codes

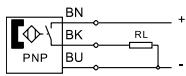
001	Series
SDBT	Sensor, position, binary, T series
002	Sensor version
B	Can be inserted in the slot, clamping at rear
M	Can be inserted in the slot
003	Sensor principle
S	Contactless (solid state)
004	Additional features
	None
B	Basic
W	Welding field immune
X	Automatic teach-in and programmable
005	Nominal operating voltage
1	24 V DC
20N	8.2 V DC (Namur)
006	Display
L	LED
007	Digital switching output
NU	3-wire N/O contact, NPN
PU	3-wire N/O contact, PNP
ZN	2-wire, Namur
ZU	2-wire N/O contact

008	Cable characteristic
E	Suitable for energy chains/robot applications
K	Standard/suitable for energy chains
W	Resistant to welding spatter
009	Cable length [m]
0.3	0.3 m
2	2 m
2.5	2.5 m
5	5 m
10	10 m
010	Cable identification
	With label holder
N	Without label holder
011	Electrical connection
LE	Open end
M8	Plug M8, A-coded
M12	Plug M12, A-coded
012	EU certification
	None
EX6	II 1GD

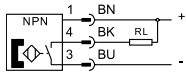
Data sheet – Magneto-resistive

Function

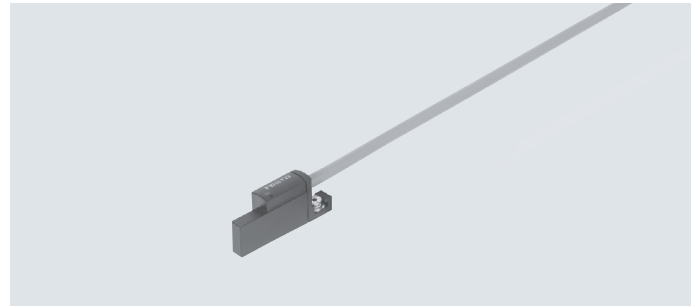
...-PU-...-LE



...-NU-...-M12



- Oil-resistant
- Welding-field-resistant,
AC 50 ... 60 Hz, MFDC 1000 Hz
- Resistant to welding spatter
- UV-resistant


Note

- For contactless piston-rod position sensing on Festo pneumatic cylinders, in particular the hinge cylinder DWx for AMI, in low and medium frequency welding installations (50/60 Hz, 1000 Hz) with strong constant or alternating magnetic fields.
- When using the SDBT-BSW on drives other than the DWx series, multiple switching can occur.
- The SDBT-BSW-...-ZU-... (2-wire version for 50/60 Hz AC) can be used on all drives.
- The SDBT-BSW-...-PU/NU-... (3-wire version for 50/60 Hz AC and 1000 Hz MFDC) can be used on the following drives (see table). For drives that are not listed, reliable functioning cannot be guaranteed. The application range should be checked where necessary.

SDBT-BSW-...-PU/NU-... (3-wire version for 50/60 Hz AC and 1000 Hz MFDC)

Drive	∅	[mm]	8	10	12	16	18	20	25	32	40	50	63	80	100
DW/DWA/DWB			-	-	-	-	-	-	-	-	-	■	■	■	-
ADN			-	-	■	■	-	■	■	■	■	■	-	-	-
ADVU			-	-	■	■	-	■	■	■	■	■	-	-	-
DFM			-	-	■	■	-	■	■	■	■	■	■	-	-
DGC-K			-	-	-	-	■	-	■	-	-	-	-	-	-
DSBC			-	-	-	-	-	-	-	■	■	-	-	-	-
DSBG			-	-	-	-	-	-	-	■	■	■	■	-	■
DSNU			■	■	■	■	-	■	■	■	■	■	-	-	-

General technical data

Design	For T-slot
Based on standard	EN 60947-5-2
Certification	RCM compliance mark c UL us listed (OL)
Special characteristics	Oil-resistant Welding-field-resistant Resistant to welding spatter UV-resistant
Application information	Support / Overview of actuator sensors "The right sensor for the actuator"
Switching characteristics during the welding process	Output signal freezes
CE marking (see declaration of conformity)	To EU EMC Directive To EU RoHS Directive
UKCA marking (see declaration of conformity)	To UK instructions for EMC To UK RoHS instructions
KC mark	KC EMC
Note on materials	Free of copper and PTFE, RoHS-compliant

Input signal/measuring element

Measuring principle	Magneto-resistive
Measured variable	Position
Ambient temperature	[°C] -25 ... +85

Signal processing

Max. speed of travel	[m/s] 1
----------------------	---------

Data sheet – Magneto-resistive

Switching output		...-PU-...	...- NU-...	...-ZU-...
Switching element function		N/O contact		
Repetition accuracy	[mm]	0.2		
Switch-on time	[ms]	≤15		
Switch-off time	[ms]	≤25		
Max. switching frequency	[Hz]	25		
Max. output current	[mA]	100		80
Max. output current in mounting kits	[mA]	100		80
Max. switching capacity DC	[W]	2.8		1.9
Max. switching capacity DC in mounting kits	[W]	2.8		1.9
Voltage drop	[V]	< 1.5		< 6
Minimum load current	[mA]	0		2.4
Off-state current	[mA]	< 0.005	< 0.14	< 0.7

Output, additional data	
Short circuit current rating	Yes, pulsed
Overload protection	Present

Electronics	
Switching output	PNP
Rated operating voltage	[V DC] 24
Operating voltage range	[V DC] 10 ... 30
Reverse polarity protection	For all electrical connections

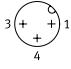
Electromechanics		...-PU/ NU-...-M12	...-PU/ NU-...-LE	...-ZU-...-LE
Electrical connection				
Connection type		Cable with plug	Cable	Cable
Connection technology		M12x1, A-coded to EN 61076-2-101	Open end	Open end
Number of pins/wires		3	3	2
Type of mounting		Screw-type lock	–	–
Outlet direction of connection		In-line		
Cable characteristic		Resistant to welding spatter		
Cable test conditions		Test conditions on request		

Data sheet – Magneto-resistive

Mechanics		...-PU/ NU-...-M12	...-PU/ NU-...-LE	...-ZU-...-LE
Type of mounting	Screw-clamped, inserted in the slot from above			
Mounting position	Any			
Max. tightening torque	[Nm]	0.6		
Information on materials				
Housing	Epoxy resin, high-alloy stainless steel, PA reinforced, black			
Union nut	Nickel-plated brass	-		-
Cable sheath	PVC, irradiated grey			
Insulating sheath	PVC			
Plug housing	TPE-U(PU)	-		-
Wire ends	-	Wire end sleeve	Wire end sleeve	
Pin contacts	Nickel-plated and gold-plated brass	-		-

Display/operation	
Switching status indication	Yellow LED
Function reserve indication	Orange LED

Immission/emission	
Ambient temperature with flexible cable installation	[°C] -5 ... +80
Degree of protection	IP65 IP68
Inductive protective circuit	Adapted to MZ, MY, ME coils
Immunity to interference from magnetic fields	Design insensitive to permanent magnetic fields < Bon
	[ZU] Insensitive to alternating magnetic fields (50 ... 60 Hz) < 160 mT
	[PU/NU] Insensitive to MFDC magnetic fields (1000 Hz) < 200 mT Insensitive to alternating magnetic fields (50 ... 60 Hz) < 200 mT

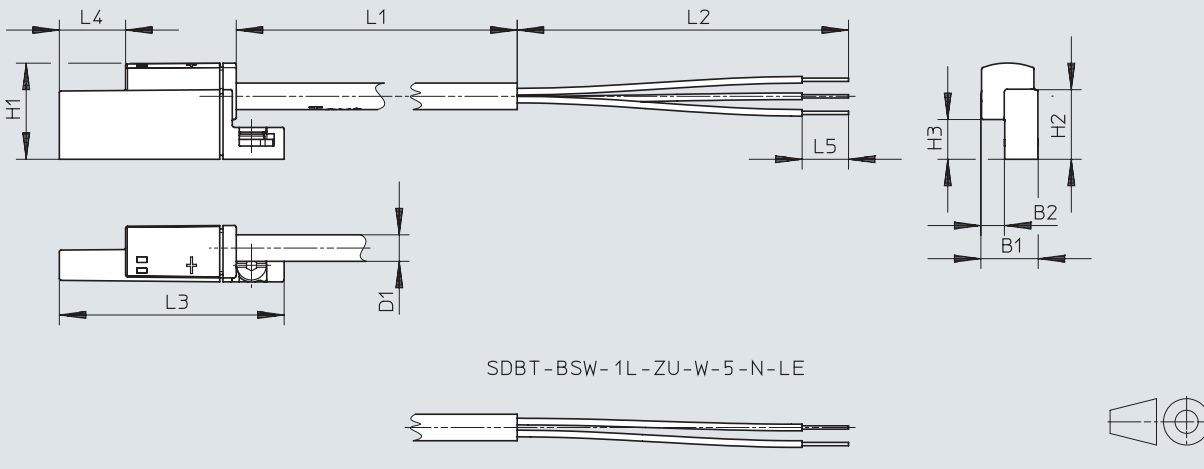
Pin allocation to EN 60947-5-2			
M12x1, 3-pin N/O contact			
	Pin	Wire colour	Allocation
	1	Brown	+
	3	Blue	-
	4	Black	Output

Data sheet – Magneto-resistive

Dimensions, open end

Download CAD data → www.festo.com

SDBT-BSW-1L-...-W-5-N-LE

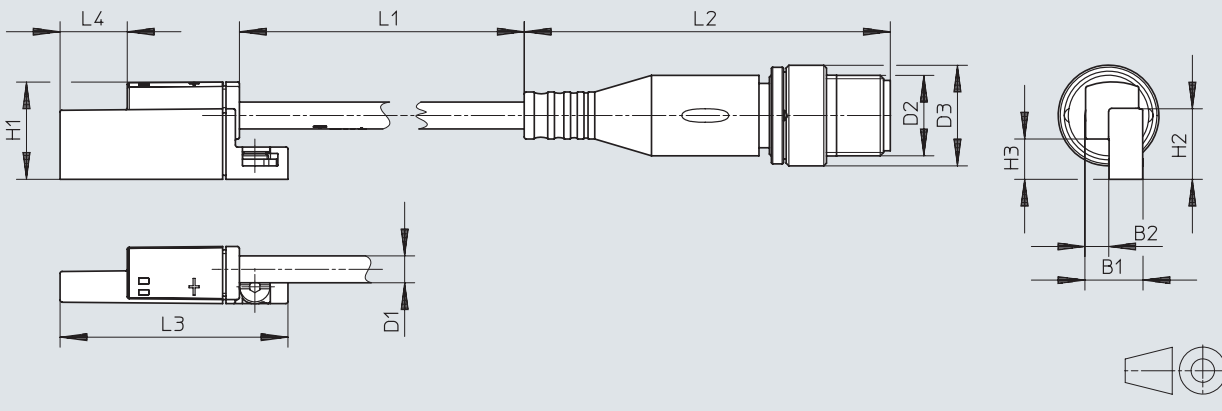


Type	B1	B2	D1 ∅	H1	H2	H3	L1	L2	L3	L4	L5
SDBT-BSW-1L-PU-W-5-N-LE	8.5	3.5	4	14.5	10.5	6	5000	50	34	10	7
SDBT-BSW-1L-ZU-W-5-N-LE											
SDBT-BSW-1L-NU-W-5-N-LE											

Dimensions with plug

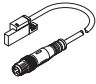
Download CAD data → www.festo.com

SDBT-BSW-1L-...-W-0.3-N-M12



Type	B1	B2	D1 ∅	D2	D3 ∅	H1	H2	H3	L1	L2	L3	L4
SDBT-BSW-1L-PU-W-0,3-N-M12	8.5	3.5	4	M12	15	14.5	10.5	6	300	54.5	34	10
SDBT-BSW-1L-NU-W-0,3-N-M12												

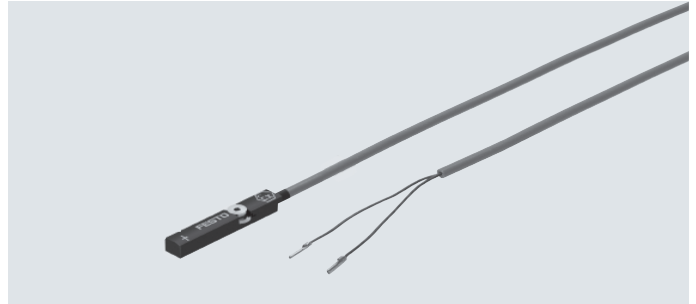
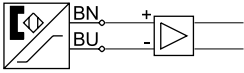
Data sheet – Magneto-resistive

Ordering data					
	Switching output	Cable length	Weight	Part no.	Type
		[m]	[g]		
N/O contact					
	3-wire, NPN	0.3	23.3	2427615	SDBT-BSW-1L-NU-W-0.3-N-M12
	3-wire, PNP	5	119.4	2427616	SDBT-BSW-1L-PU-W-5-N-LE
	3-wire, NPN	5	119.4	2427618	SDBT-BSW-1L-NU-W-5-N-LE
	3-wire, PNP	0.3	23.3	2476855	SDBT-BSW-1L-PU-W-0.3-N-M12
	2-wire, contactless	5	116.9	2427617	SDBT-BSW-1L-ZU-W-5-N-LE

Data sheet – Magneto-resistive

Function

- ATEX 1GD



General technical data	
Design	For T-slot
Based on standard	EN 60947-5-6
Certification	RCM compliance mark
Special characteristics	Oil-resistant
Max. input voltage U_i	[V] 28
Max. input current I_i	[A] 0.25
Max. input power P_i	[mW] T4: 350 mW T6: 72 mW
Effective internal inductance L_i	[μ H] 30
Effective internal capacitance C_i	[nF] 79
Certificate issuing authority	PTZ 16 ATEX 0010 X IECEX PTZ 18.0008X DNV 17.0027 X GYJ20.1106X 21-AV4BO-0130X 21-AV4BO-0131X
CE marking (see declaration of conformity)	To EU EMC Directive To EU Explosion Protection Directive (ATEX) To EU RoHS Directive
KC mark	KC EMC

Input signal/measuring element	
Measured variable	Position
Measuring principle	Magneto-resistive
Ambient temperature	[$^{\circ}$ C] -40 ... +85
Ambient temperature with flexible cable installation	[$^{\circ}$ C] -20 ... +85

ATEX	
ATEX category for gas	II 1G
Type of ignition protection for gas	Ex ia IICT4 ... T6 Ga
ATEX category for dust	II 1D
Type of ignition protection for dust	Ex ia IIIC T135 $^{\circ}$ C Da
Explosion-proof ambient temperature	T4, with fixed cable installation: -40 $^{\circ}$ C \leq Ta \leq +85 $^{\circ}$ C T4: -20 $^{\circ}$ C \leq Ta \leq +85 $^{\circ}$ C T6, with fixed cable installation: -40 $^{\circ}$ C \leq Ta \leq +45 $^{\circ}$ C T6: -20 $^{\circ}$ C \leq Ta \leq +45 $^{\circ}$ C
Explosion protection certification outside the EU	EPL Da (BR) EPL Da (CN) EPL Da (IEC-EX) EPL Da (KR) EPL Ga (BR) EPL Ga (CN) EPL Ga (IEC-EX) EPL Ga (KR)

Data sheet – Magneto-resistive

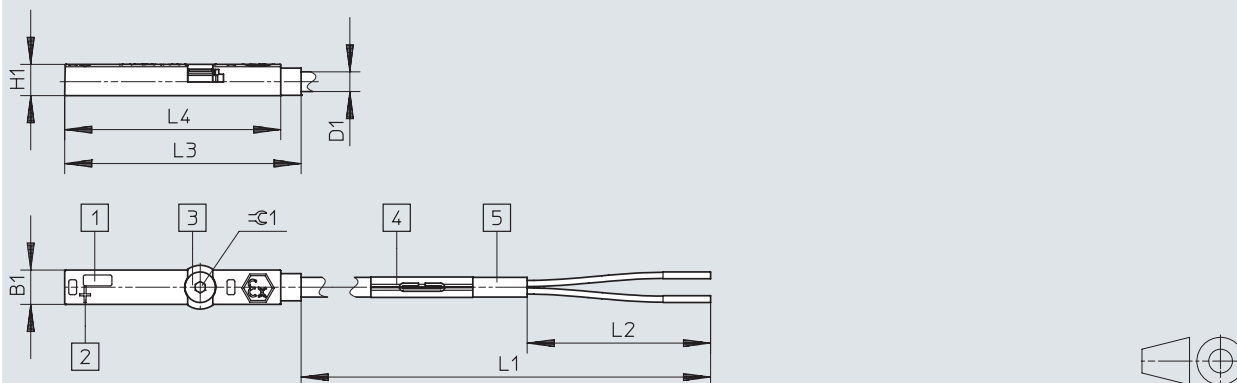
Materials		
Housing		High-alloy stainless steel PA reinforced, black
Cable sheath		TPE-U(PUR), blue
Insulating sheath		PP
Note on materials		Free of copper and PTFE RoHS-compliant Halogen-free
PWIS conformity		VDMA24364-B2-L
Switching output		
		NAMUR
Switching element function		NAMUR
Repetition accuracy	[mm]	0.2
Switch-on time	[ms]	< 1
Switch-off time	[ms]	< 1
Max. switching frequency	[Hz]	330
Off-state current	[mA]	0.4 ... 1
Electronics		
Rated operating voltage	[V DC]	8.2
Operating voltage range	[V DC]	7.5 ... 18
Residual ripple	[%]	10
Reverse polarity protection		For all electrical connections
Electromechanics		
Electrical connection		
Connection type		Cable
Connection technology		Open end
Number of pins/wires		2
Outlet direction of connection		In-line
Cable characteristic		Suitable for robot applications and energy chains
Cable test conditions		Test conditions on request Bending strength according to Festo standard
Mechanics		
Type of mounting		Screw-clamped
Mounting position		Any, inserted in slot from above
Tightening torque	[Nm]	0.1 ... 0.6
Max. tightening torque	[Nm]	0.6
Wire ends		Wire end sleeve
Display/operation		
Switching status indication		Yellow LED
Immission/emission		
Degree of protection		IP65 IP68

Data sheet – Magneto-resistive

Dimensions, open end

Download CAD data → www.festo.com

SDBT-MS-20NL-ZN-E-...-LE-EX6



Type	B1	D1 ∅	H1	L1	L2 ±5	L3	L4	±0.1
SDBT-MS-20NL-ZN-E-2.5-LE-EX6	5.1	2.9	4.6	2500	50	34.8	31.8	1.5
SDBT-MS-20NL-ZN-E-5-LE-EX6				5000				
SDBT-MS-20NL-ZN-E-10-LE-EX6				10000				
SDBT-MS-20NL-ZN-E-20-LE-EX6				20000				

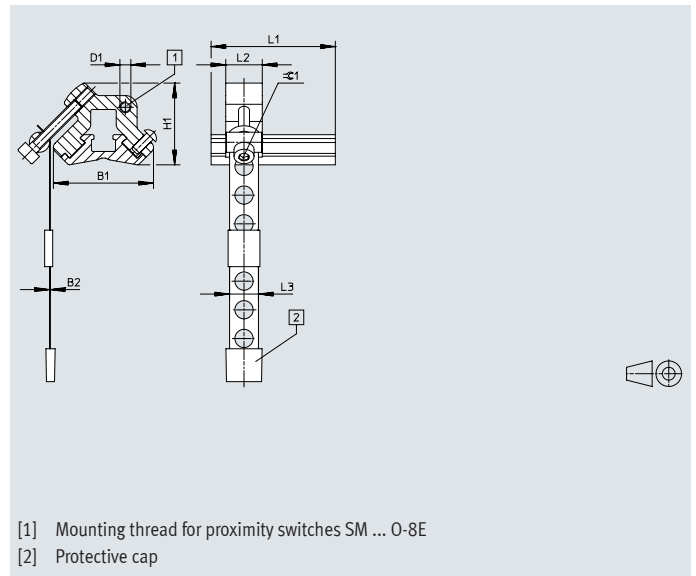
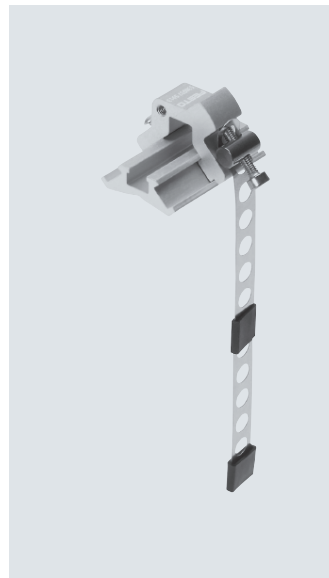
Ordering data

Switching output	Cable length [m]	Weight [g]	Part no.	Type
2-wire, NAMUR	2.5	28	8185110	SDBT-MS-20NL-ZN-E-2.5-LE-EX6
	5	53	579071	SDBT-MS-20NL-ZN-E-5-LE-EX6
	10	104	579072	SDBT-MS-20NL-ZN-E-10-LE-EX6
	20	206	8185111	SDBT-MS-20NL-ZN-E-20-LE-EX6

Accessories

Mounting kit SMBR-8-8/100-S6

Material:
 Rail: Anodised wrought aluminium alloy
 Clamping strap, screws: High-alloy stainless steel
 Free of copper and PTFE
 RoHS-compliant



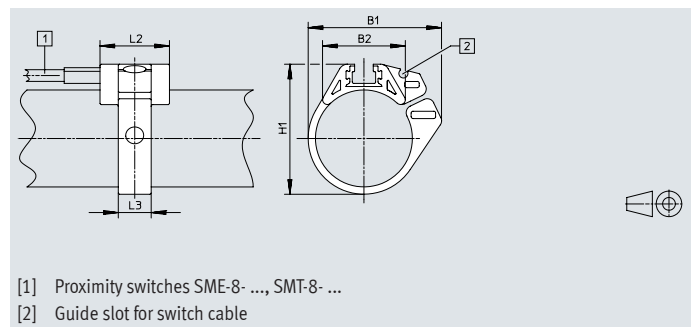
Dimensions and ordering data											
For piston \varnothing	B1	B2	D1	H1	L1	L2	L3	$\approx \varnothing$ 1	CRC ¹⁾	Part no.	Type
8 ... 100	27.4	0.2	M3	22.4	34	10	7.9	2.5	4	★ 538937	SMBR-8-8/100-S6

1) Corrosion resistance class CRC 4 to Festo standard FN 940070

Particularly high corrosion stress. Outdoor exposure under extreme corrosive conditions. Parts exposed to aggressive media, e.g. in the chemical or food industries. Such applications may need to be safeguarded by means of special testing (→ also FN 940082), using appropriate media.

Mounting kit SMBR

Material:
 Polyacetal
 RoHS-compliant



Dimensions and ordering data							
For piston \varnothing	B1	B2	H1	L2	L3	Part no.	Type
8	18.9	12.3	17.5	19	7	175091	SMBR-8-8
10	20.4	13.7	19.9	19	7	175092	SMBR-8-10
12	22.7	14.3	21.9	19	7	★ 175093	SMBR-8-12
16	28.2	16.9	25.7	19	8	★ 175094	SMBR-8-16
20	34.5	20.8	30.4	19	9	★ 175095	SMBR-8-20
25	36.7	22.7	35.6	19	9	★ 175096	SMBR-8-25
32	41.7	24.6	42.7	19	9	175097	SMBR-8-32
40	47.1	26.5	50.7	19	9	175098	SMBR-8-40
50	56.4	28.6	61.5	19	9	175099	SMBR-8-50
63	69.4	32	74.5	19	9	175100	SMBR-8-63

Accessories

Mounting kit CRSMB

Design: for round cylinders

Type of mounting: any

Type of mounting: glued

Degree of protection: IP65, IP68, IP69K

Ambient temperature: -40 ... +90°C

Material:

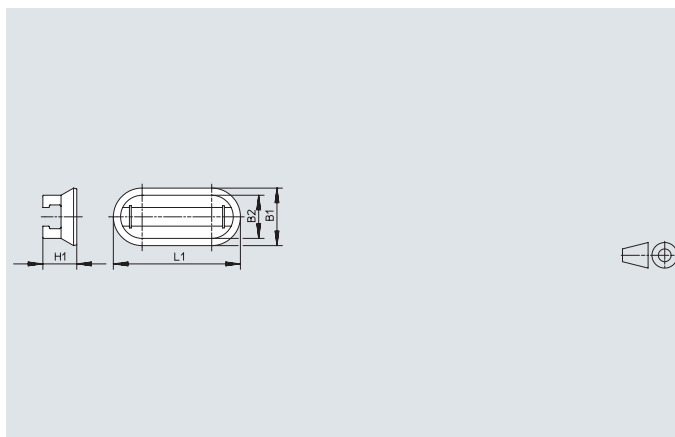
Housing: anodised aluminium,
TPE-U(PU)

Free of copper and PTFE

RoHS-compliant

PWIS conformity:

VDMA24364-B2-L



Ordering data									
For piston \varnothing	B1	B2	H1	L1	CRC ¹⁾	Part no.	Type		
32 ... 100	15.8	11.8	9.3	35	4	525565	CRSMB-8-32/100		

1) Corrosion resistance class CRC 4 to Festo standard FN 940070

Particularly high corrosion stress. Outdoor exposure under extreme corrosive conditions. Parts exposed to aggressive media, e.g. in the chemical or food industries. Such applications may need to be safeguarded by means of special testing (\rightarrow also FN 940082), using appropriate media.

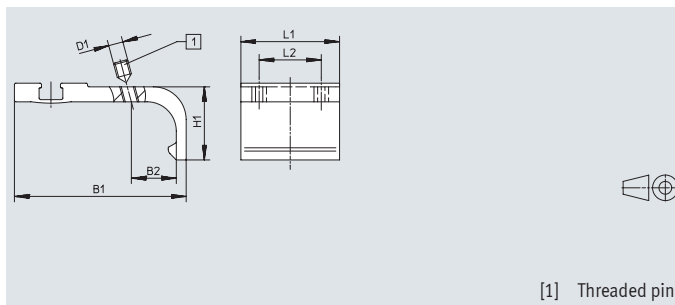
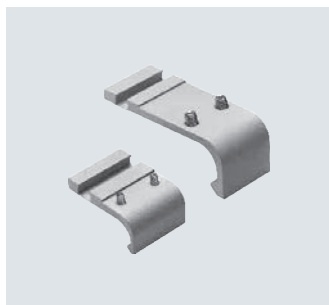
Mounting kit

SMB-8-FENG

Material:

Wrought aluminium alloy

Free of copper and PTFE



[1] Threaded pin

Dimensions and ordering data									
For piston \varnothing	B1	B2	D1	H1	L1	L2	Tightening torque [Nm]	Part no.	Type
32/40	35.1	8.7	M3	15.5	27	17	0.2	175705	SMB-8-FENG-32/40
50/63	47	12.3	M4	20	27	17	0.5	175706	SMB-8-FENG-50/63
80/100	64.3	15.7	M5	24.3	27	17	0.7	175707	SMB-8-FENG-80/100

Accessories

Mounting kit SMB-8-C

Temperature: -40 ... 120°C

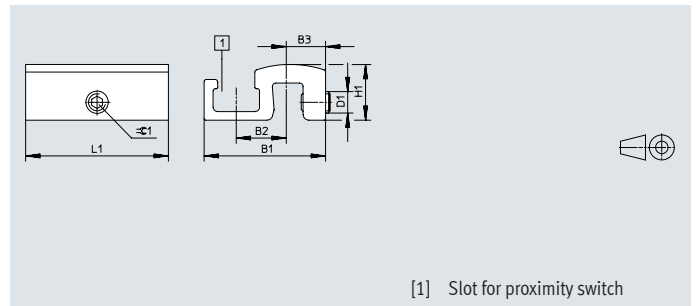
Material:

Retaining bracket: Anodised wrought aluminium alloy

Screws: High-alloy stainless steel

Free of copper and PTFE,

RoHS-compliant



[1] Slot for proximity switch

Dimensions and ordering data

Type	B1	B2	B3	D1	H1	L1	±0.1	Tightening torque [Nm]	CRC ¹⁾	Weight [g]	Part no.	Type
SMB-8-C	17	7	5.5	M3	7.8	20	1.5	0.2 ... 0.6	3	3.5	1806790	SMB-8-C

1) Corrosion resistance class CRC 3 to Festo standard FN 940070

High corrosion stress. Outdoor exposure under moderate corrosive conditions. Externally visible parts with primarily functional surface requirements which are in direct contact with a normal industrial environment.

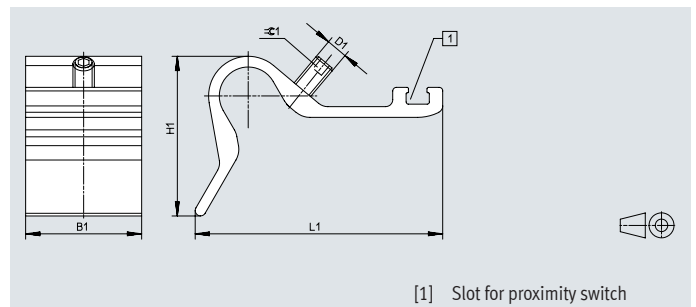
Sensor bracket DASP-M4-...-A

Material:

Anodised wrought aluminium alloy

Screws: High-alloy stainless steel

RoHS-compliant



[1] Slot for proximity switch

Dimensions and ordering data

Type	B1	D1	H1	L1	±0.1	Tightening torque [Nm]	CRC ¹⁾	Weight [g]	Part no.	Type
DASP-M4-125-A	32.5	M5	28	45.4	2.5	1	3	26.5	1451483	DASP-M4-125-A
DASP-M4-160-A	32.5	M6	44.7	69.4	3	1	3	41.5	1553813	DASP-M4-160-A
DASP-M4-250-A	32.5	M6	56.3	88	3	1	3	60	1456781	DASP-M4-250-A
DASP-M4-320-A	32.5	M6	56.3	88	3	1	3	60	3015256	DASP-M4-320-A

1) Corrosion resistance class CRC 3 to Festo standard FN 940070

High corrosion stress. Outdoor exposure under moderate corrosive conditions. Externally visible parts with primarily functional surface requirements which are in direct contact with a normal industrial environment.

Accessories

Positioning element SMM

Insertable in the slot lengthwise

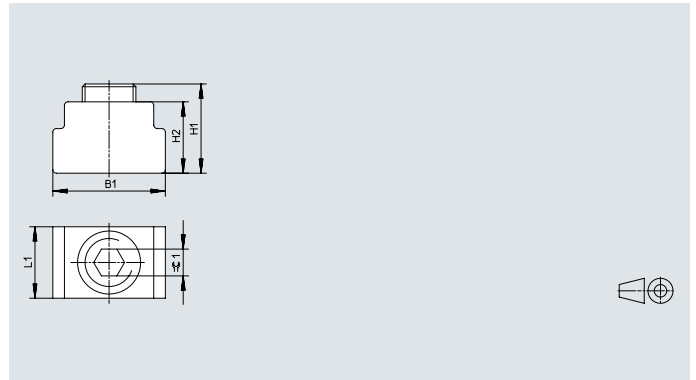
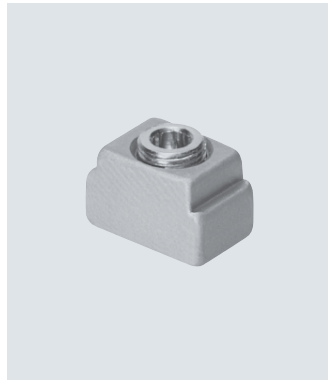
Ambient temperature: -40 ... +120°C

Materials:

Housing: Anodised wrought aluminium alloy

Screws: High-alloy stainless steel

Note on materials: RoHS-compliant



Dimensions and ordering data





B1	H1	H2	L1	±e1	CRC ¹⁾	Part no.	Type	PU ²⁾
6.3	5.0	4.0	4.0	1.5	3	547941	SMM-8	10


1) Corrosion resistance class CRC 3 to Festo standard FN 940070

High corrosion stress. Outdoor exposure under moderate corrosive conditions. Externally visible parts with primarily functional surface requirements which are in direct contact with a normal industrial environment.

2) Packaging unit


Accessories

Ordering data – Connecting cables				Data sheets → Internet: nebu/sim	
		Number of wires	Cable length [m]	Part no.	Type
Socket M8x1, 3-pin					
	For SMT/SME-8... and SMT0/SMTSO/SME0-8E	3	2.5	★ 541333	NEBU-M8G3-K-2.5-LE3
			5	★ 541334	NEBU-M8G3-K-5-LE3
	For SMT/SME-8... and SMT0/SMTSO/SME0-8E	3	2.5	★ 541338	NEBU-M8W3-K-2.5-LE3
			5	★ 541341	NEBU-M8W3-K-5-LE3
Socket M12x1, 5-pin					
	For SMT/SME-8M and SMT0/SMTSO/SME0-8E	3	2.5	★ 541363	NEBU-M12G5-K-2.5-LE3
			5	★ 541364	NEBU-M12G5-K-5-LE3
	For SMT/SME-8M and SMT0/SMTSO/SME0-8E	3	2.5	541367	NEBU-M12W5-K-2.5-LE3
			5	541370	NEBU-M12W5-K-5-LE3

Ordering data – Safety clip for ATEX zone					
	Size	Description	Part no.	Type	PU ¹⁾
	M8	<ul style="list-style-type: none"> Protects "equipment that is not intrinsically safe" in zones 2 and 22 against simple disconnection ATEX category: gas: II 3G / dust: II 3D 	548067	NEAU-M8-GD	1
	M12		548068	NEAU-M12-GD	1

1) Packaging unit

Ordering data – Mounting components			
	Description	Part no.	Type
	For fixing connecting cables in place	534254	SMBK-8

Ordering data – Sensor tester			
	Description	Part no.	Type
	<ul style="list-style-type: none"> Testing the functionality of proximity switches using the integrated voltage supply Adjusting proximity switches on the cylinder 	158481	SM-TEST-1

Ordering data – Inscription labels				
	Size	Part no.	Type	PU ¹⁾
	23x4 mm	541598	ASLR-L-423	34

1) Packaging unit

Festo - Your Partner in Automation



1 Festo Inc.
5300 Explorer Drive
Mississauga, ON L4W 5G4
Canada

Festo Customer Interaction Center
Tel: 1 877 463 3786
Fax: 1 877 393 3786
Email: customer.service.ca@festo.com



2 Festo Pneumatic
Av. Ceylán 3,
Col. Tequesquináhuac
54020 Tlalnepantla,
Estado de México

Multinational Contact Center
01 800 337 8669
ventas.mexico@festo.com



3 Festo Corporation
1377 Motor Parkway
Suite 310
Islandia, NY 11749

Festo Customer Interaction Center
1 800 993 3786
1 800 963 3786
customer.service.us@festo.com



4 Regional Service Center
7777 Columbia Road
Mason, OH 45040

Connect with us



www.festo.com/socialmedia



www.festo.com

Subject to change