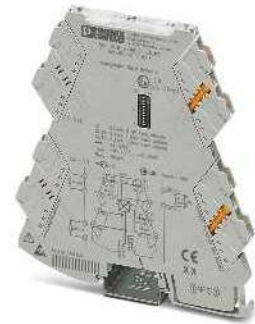
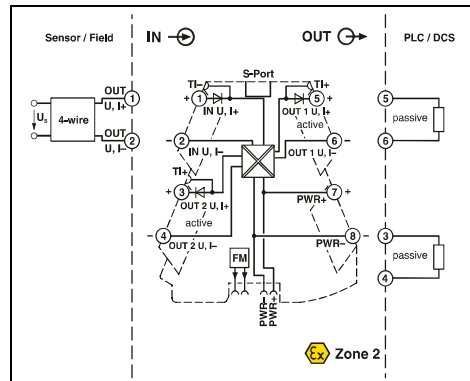
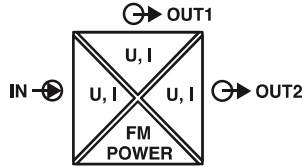


Analog IN/Analog OUT
4-way signal duplicators



4-way signal duplicator



Housing width 6.2 mm

- Universally configurable, highly-compact 4-way signal duplicator
- For electrical isolation, conversion, amplification, and filtering of standard signals
- Independently adjustable outputs
- Input side for current signals from 0 to 24 mA or voltage signals from 0 to 12 V
- Supports fault monitoring
- Plug-in connection system
- Safe 4-way isolation
- Standard behavior can be configured via DIP switches
- Freely configurable via software or smartphone app
- Power supply and fault monitoring possible via DIN rail connector
- Status and error indicator LEDs

Notes:
To order a product with an order configuration, enter the required configuration by referring to the adjacent order key.

Input data	Input signal (configurable via DIP switch or freely via software)
Maximum input signal	Input resistance
Output data	Output signal (configurable via DIP switch or freely via software)
Maximum output signal	No-load voltage
Short-circuit current	Load R_B
Ripple	
General data	Supply voltage range
Nominal supply voltage	Current consumption
Power consumption	
Maximum transmission error	Temperature coefficient
Step response (10-90%)	
Electrical isolation	Degree of protection
EMC note	
Conformance/approvals	Conformance
ATEX	UL, USA/Canada
DNV GL	

Technical data

U input	0 V ... 10 V	I input	0 mA ... 20 mA
2 V ... 10 V	4 mA ... 20 mA	0 mA ... 10 mA	20 mA ... 0 mA
0 V ... 5 V	0 mA ... 10 mA	0 mA ... 24 mA	24 mA
1 V ... 5 V	20 mA ... 0 mA	12 V	Approx. 50 Ω (+ 0.7 V for test diode)
0 V ... 12 V	0 mA ... 24 mA	>120 kΩ	
U output	0 V ... 10 V	I output	0 mA ... 20 mA
2 V ... 10 V	4 mA ... 20 mA	0 mA ... 10 mA	20 mA ... 0 mA
0 V ... 5 V	0 mA ... 10 mA	0 V ... 10.5 V	0 mA ... 21 mA
1 V ... 5 V	20 mA ... 0 mA	Approx. 12.3 V	24.6 mA
0 V ... 10.5 V	0 mA ... 21 mA		≤18.5 V
	≤25 mA		≤600 Ω (per channel)
	≥10 kΩ		<20 mV _{PP} (at 600 Ω)
	<20 mV _{PP} (at 600 Ω)		
U output	9.6 V DC ... 30 V DC	I output	110 mA (12 V DC)
24 V DC			1.5 W (at I _{OUT} = 20 mA, 9.6 V DC, 600 Ω load)
55 mA (24 V DC)			
	0.05% (of final value)		
	0.01%/K		
	Approx. 140 ms (15 Hz sample rate)		
	Approx. 45 ms (60 Hz sample rate)		
	Approx. 25 ms (240 Hz sample rate)		
	Reinforced insulation in accordance with IEC 61010-1		
	IP20		
	Class A product, see page 583		
	CE-compliant		
	Ex II 3 G Ex nA IIC T4 Gc X		
	UL 508 Listed		
	Class I, Div. 2, Groups A, B, C, D T6		
	Class I, Zone 2, Group IIC T6		
	B, B, A, A		

Ordering data

Description	Type	Order No.	Pcs./Pkt.
4-way signal duplicator , with independently adjustable outputs			
Standard configuration	Push-in connection	MINI MCR-2-UNI-UI-2UI-PT	2905028
Standard configuration	Screw connection	MINI MCR-2-UNI-UI-2UI	2905026
Order configuration	Push-in connection	MINI MCR-2-UNI-UI-2UI-PT-C	2905027
Order configuration	Screw connection	MINI MCR-2-UNI-UI-2UI-C	2905025

Accessories

Accessories	Order No.	Pcs./Pkt.
Programming adapter for configuring modules with S-PORT interface	IFS-USB-PROG-ADAPTER	2811271
USB programming adapter for configuring modules with Windows software	TWN4 MIFARE NFC USB ADAPTER	2909681
Bluetooth programming adapter , with USB and S-PORT interface	IFS-BT-PROG-ADAPTER	2905872

MINI Analog Pro – Highly compact signal conditioners with plug-in connection technology

Order key for MINI MCR-2-UNI-UI-2UI(-PT)(-C) 4-way signal duplicators (standard configuration entered as an example)

Order No.	Input			Output 1			Output 2			...
	Input signal	Start	End	Output signal 1	Start	End	Output signal 2	Start	End	
2905027	I	0.0	20.0	I	0.0	20.0	I	0.0	20.0	
2905025 ≙ MINI MCR-2- UNI-UI-2UI-C	I ≙ I U ≙ U	0.0 ≙ 0 mA I: freely selectable between 0.0 ... 23.5 mA U: freely selectable between 0.0 ... 11.5 V	20.0 ≙ 20 mA I: freely selectable between 0.0 ... 24 mA U: freely selectable between 0.5 ... 12 V	I ≙ I U ≙ U	0.0 ≙ 0 mA I: freely selectable between 0.0 ... 20 mA U: freely selectable between 0.0 ... 10.5 V	20.0 ≙ 20 mA I: freely selectable between 1.0 ... 21 mA U: freely selectable between 0.5 ... 11 V	I ≙ I U ≙ U	0.0 ≙ 0 mA I: freely selectable between 0.0 ... 20 mA U: freely selectable between 0.0 ... 10.5 V	20.0 ≙ 20 mA I: freely selectable between 1.0 ... 21 mA U: freely selectable between 0.5 ... 11 V	
2905027 ≙ MINI MCR-2- UNI-UI-2UI-PT-C										
Measuring range span at least 0.5 V / 1 mA Increment 0.1 V / 0.1 mA				Output signal span at least 0.5 V / 1 mA Increment 0.1 V / 0.1 mA						

Sample rate	Factory calibration certificate
15	None
15 ≙ 15 Hz 60 ≙ 60 Hz 250 ≙ 240 Hz	None ≙ no factory calibration certificate Yes ≙ certificate but no test data YesPlus ≙ certificate with test data